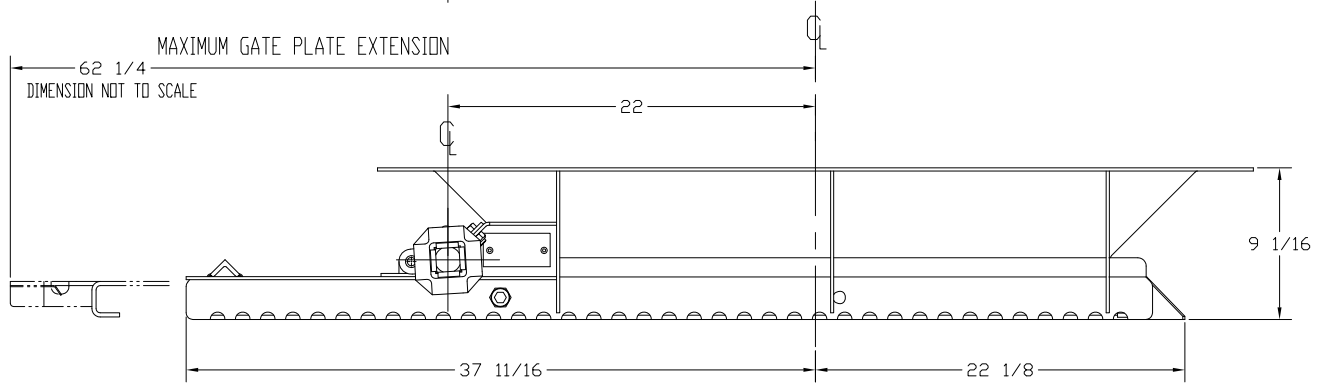
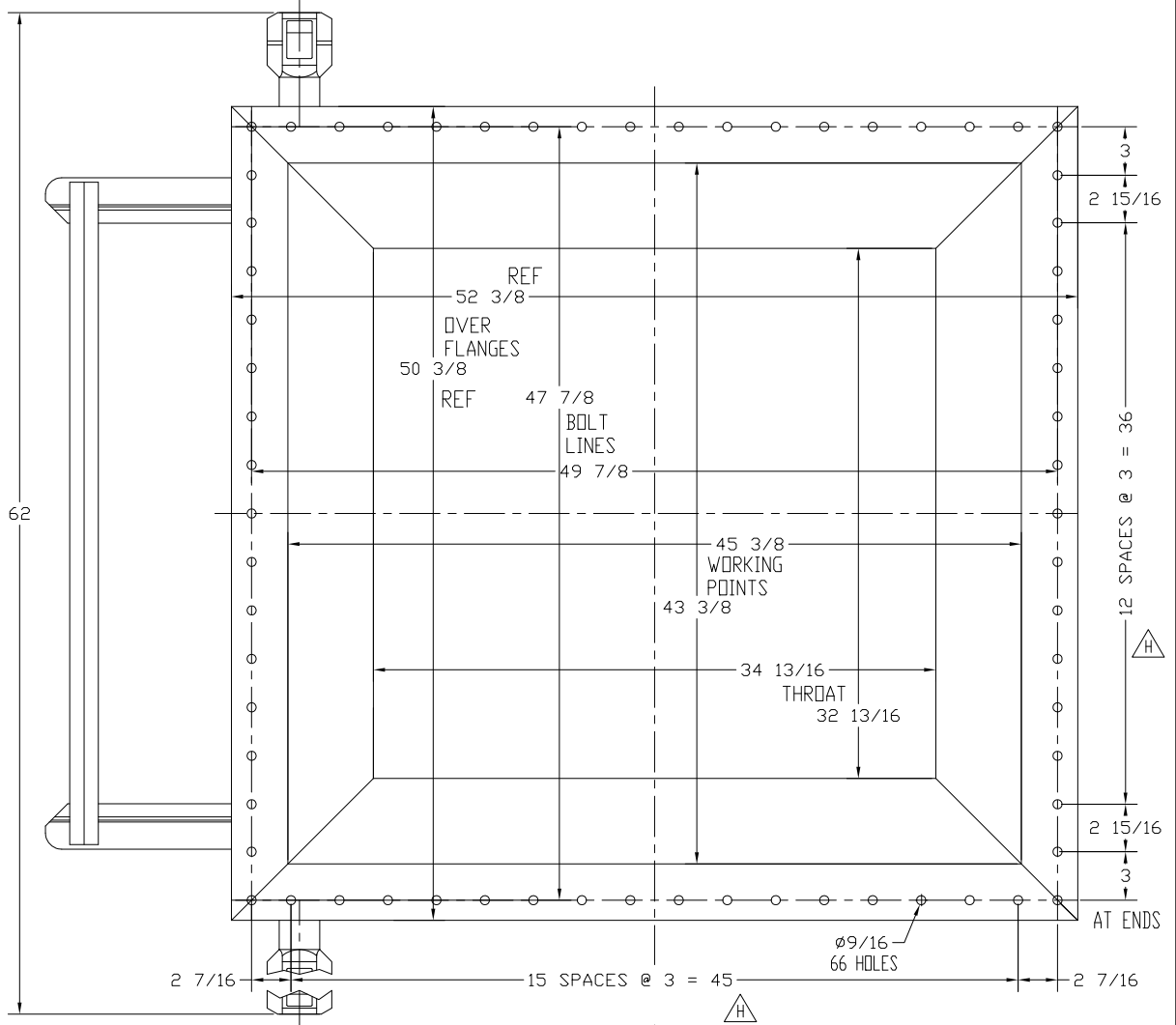


F DU3030FB2NV



UNLESS OTHERWISE STATED
ALL DIMENSIONS ARE REFERENCE ONLY

GATE'S FINISH TO BE SPECIFIED
ON CUSTOMER'S P.O.

SLOPE SHEET 3/16" HR STEEL
GATE PLATE 1/4" HR STEEL
NOMINAL WEIGHT 412 lbs.

STAINLESS STEEL CAP 1/32"
-OPTIONAL

REF PART NO. FD 7039

REV.	DESCRIPTION	DATE	APPROVED
H	DIMENSIONS UPDATED.	JFP 18/MAY/11	JJ
G	ALL HOLES SHOWN. WEIGHT WAS 380 lbs.	JFP 16/MAY/11	JJ
F	TITLE CHANGED.	JFP 02/FEB/07	JJ
E	NOTE ADDED.	MP 01/AUG/06	JFP
D	NOTE "ALL DIMENSIONS ARE REFERENCE ONLY" ADDED.	MP 10/MAY/06	JFP
C	COMPANY NAME WAS IEC HOLDEN.	JFP 09/JUN/05	JJ
B	SIDE ARM CROSS BRACE ADDED.	ER 02/APR/96	PB
A	THROAT OPENING WAS 32 13/16 X 34 7/8.		

COPIES OF THIS DRAWING ARE FOR REFERENCE PURPOSES ONLY AND ARE NOT SUBJECT TO REVISION CONTROL.



HOLDEN
INTERNATIONAL INC.

TOLERANCES (EXCEPT AS NOTED)		TITLE		DRAWING NUMBER	
DECIMAL/FRACTIONAL	SCALE	HOLDEN GATE FDU3030-FB2NV APPLICATION DIMENSIONS		3030FB2N	
± 1/8	N.T.S.	DRAWN BY:	CHECKED BY:	REVISION	
ANGULAR	DATE	ER	JD	H	
±	2/MAR/94	APPROVED BY:	PB	FAX FORMAT	

THIS DRAWING IS LOANED IN CONFIDENCE SUBJECT TO RETURN UPON REQUEST AND UNDER THE EXPRESS AGREEMENT THAT THE DRAWING AND INFORMATION THEREIN CONTAINED ARE THE EXCLUSIVE PROPERTY OF HOLDEN INTERNATIONAL AND WILL NOT BE REPRODUCED, COPIED, OR OTHERWISE DISPOSED OF DIRECTLY OR INDIRECTLY, AND WILL NOT BE USED IN WHOLE OR IN PART TO ASSIST IN MAKING OR TO FURNISH ANY INFORMATION FOR THE MAKING OF DRAWINGS, PRINTS OR OTHER REPRODUCTIONS THEREOF, OR FOR THE MAKING OF APPARATUS OR PARTS THEREOF, EXCEPT UPON WRITTEN PERMISSION OF HOLDEN INTERNATIONAL FIRST OBTAINED AND SPECIFIC AS TO EACH CASE. THE ACCEPTANCE OF THIS DRAWING WILL BE CONSTRUED AS AN ACCEPTANCE OF THE FOREGOING AGREEMENT.