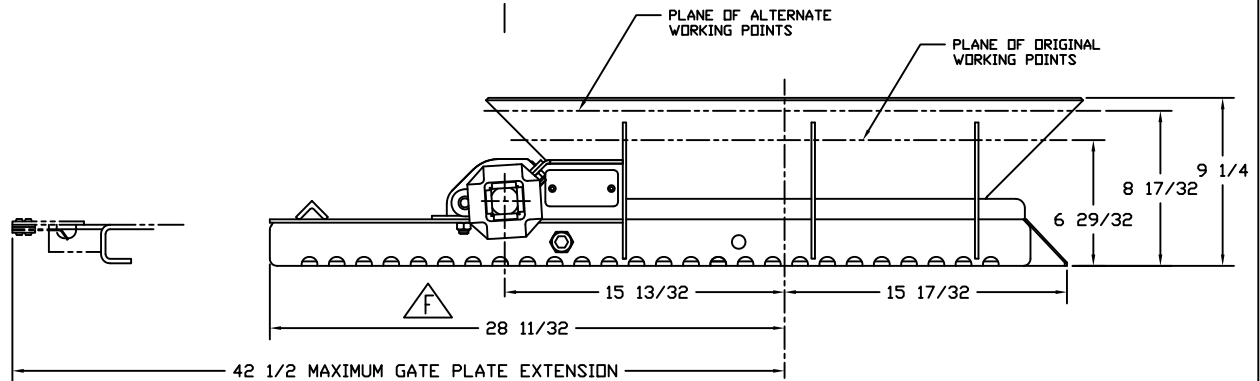
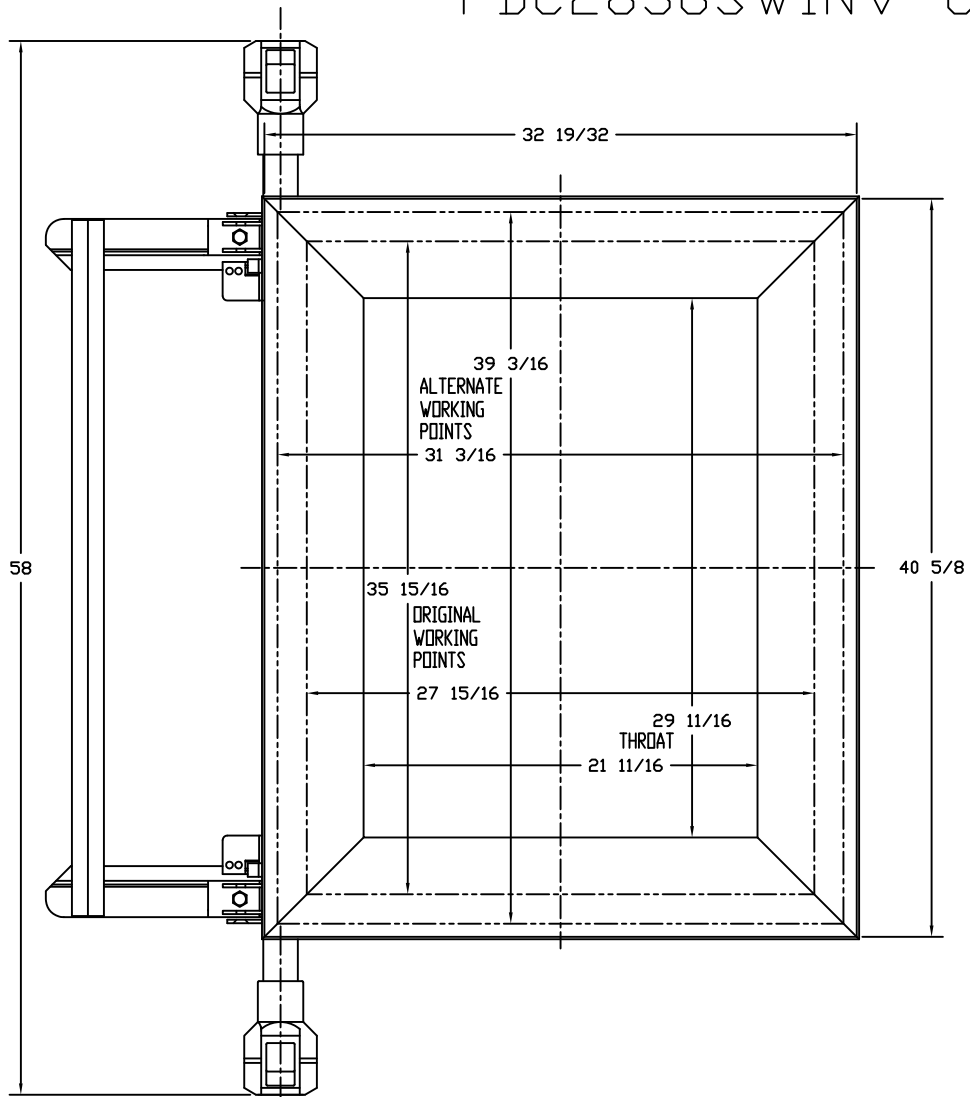


FDC2836SW1NV-C1



UNLESS OTHERWISE STATED
ALL DIMENSIONS ARE REFERENCE ONLY

SLOPE SHEET 3/16" H.R. STEEL
GATE PLATE 1/4" H.R. STEEL
NOMINAL WEIGHT 285 lbs.

GATE'S FINISH TO BE SPECIFIED
ON CUSTOMER'S P.O.

STAINLESS STEEL CAP 1/32"
-OPTIONAL

F	DIMENSION 28 11/32 WAS 28 5/16.	JFP	31/OCT/11	JJ
E	TITLE AND DRAWING NUMBER CHANGED.	JFP	17/DEC/10	JJ
D	TITLE CHANGED, WAS FDC2836SW1NV-CN. DVG # WAS FDC2836SW1NV-CN. ALTERNATE WORKING POINTS ADDED.	JFP	23/APR/07	JJ
C	DIM 27 15/16 & 35 15/16 WERE RESPECTIVELY 28 & 36 DIM 40 5/8 WAS 40 19/32. REF PART NO. WAS FD 7061.	JFP	25/JAN/07	JJ
B	NOTE ADDED.	MP	01/AUG/06	JFP
A	NOTE "ALL DIMENSIONS ARE REFERENCE ONLY" ADDED.	MP	10/MAY/06	JFP
REV.	DESCRIPTION	DATE	APPROVED	

REF PART NO. FD 7063

COPIES OF THIS DRAWING ARE FOR REFERENCE PURPOSES ONLY AND ARE NOT SUBJECT TO REVISION CONTROL.



THIS DRAWING IS LOANED IN CONFIDENCE SUBJECT TO RETURN UPON REQUEST AND UNDER THE EXPRESS AGREEMENT THAT THE DRAWING AND INFORMATION THEREIN CONTAINED ARE THE EXCLUSIVE PROPERTY OF HOLDEN INTERNATIONAL INC. AND WILL NOT BE REPRODUCED, COPIED, OR OTHERWISE DISPOSED OF DIRECTLY OR INDIRECTLY, AND WILL NOT BE USED IN WHOLE OR IN PART TO ASSIST IN MAKING OR TO FURNISH ANY INFORMATION FOR THE MAKING OF DRAWINGS, PRINTS OR OTHER REPRODUCTIONS THEREOF, OR FOR THE MAKING OF APPARATUS OR PARTS THEREOF, EXCEPT UPON WRITTEN PERMISSION OF HOLDEN INTERNATIONAL INC. FIRST OBTAINED AND SPECIFIC AS TO EACH CASE. THE ACCEPTANCE OF THIS DRAWING WILL BE CONSTRUED AS AN ACCEPTANCE OF THE FOREGOING AGREEMENT.

TOLERANCES (EXCEPT AS NOTED)	TITLE HOLDEN GATE FDC2836-SW1NV-C1 APPLICATION DIMENSIONS	DRAWING NUMBER 2836SW1NV-C1
DECIMAL ± .005	SCALE N.T.S.	REVISION F
ANGULAR ± .005	DATE 2004/06/07	APPROVED BY: J IQRID
		FAX FORMAT