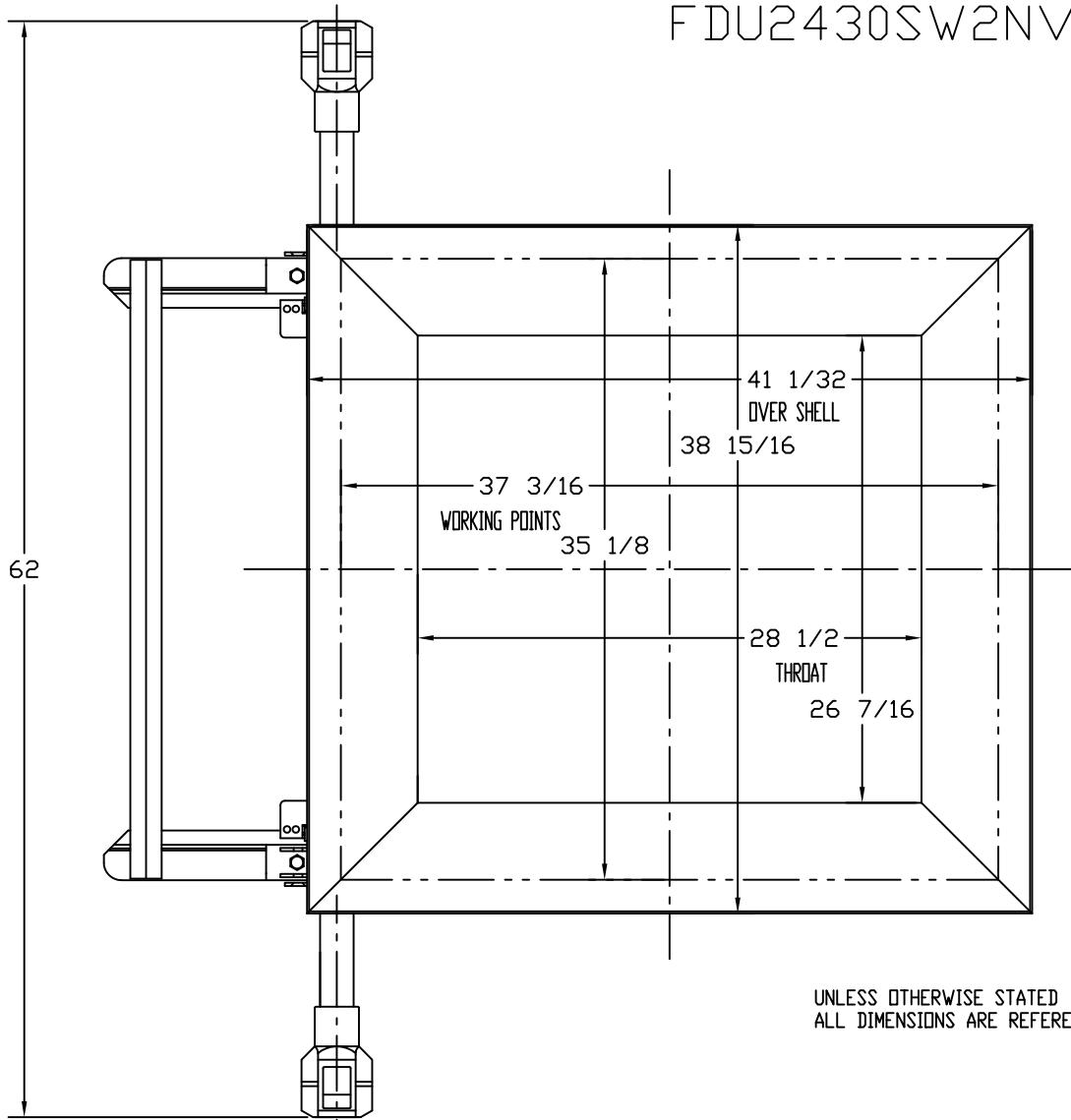
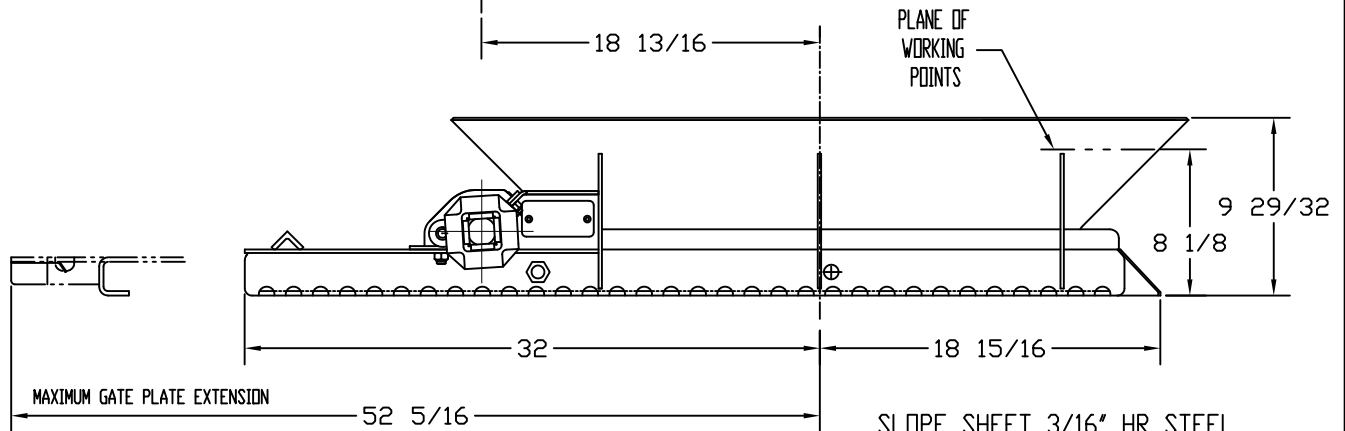


F DU2430SW2NV-C1



UNLESS OTHERWISE STATED
ALL DIMENSIONS ARE REFERENCE ONLY



SLOPE SHEET 3/16" HR STEEL
GATE PLATE 1/4" HR STEEL
NOMINAL WEIGHT 280 lbs.

STAINLESS STEEL CAP 1/32"
-OPTIONAL

GATE'S FINISH TO BE SPECIFIED
ON CUSTOMER'S P.O.

REF PART NO. FD 7036



COPIES OF THIS DRAWING ARE FOR REFERENCE PURPOSES ONLY AND ARE NOT SUBJECT TO REVISION CONTROL.

B	TITLE AND DRAWING NUMBER CHANGED.	JFP	17/DEC/10	JJ
A	NOTE ADDED.	-MP	01/AUG/06	JFP
REV	DESCRIPTION	DATE	APPROVED	
THIS DRAWING IS LOANED IN CONFIDENCE SUBJECT TO RETURN UPON REQUEST AND UNDER THE EXPRESS AGREEMENT THAT THE DRAWING AND INFORMATION THEREIN CONTAINED ARE THE EXCLUSIVE PROPERTY OF HOLDEN INTERNATIONAL AND WILL NOT BE REPRODUCED, COPIED, OR OTHERWISE DISPOSED OF DIRECTLY OR INDIRECTLY, AND WILL NOT BE USED IN WHOLE OR IN PART TO ASSIST IN MAKING OR TO FURNISH ANY INFORMATION FOR THE MAKING OF DRAWINGS, PRINTS OR OTHER REPRODUCTIONS THEREOF, OR FOR THE MAKING OF APPARATUS OR PARTS THEREOF, EXCEPT UPON WRITTEN PERMISSION OF HOLDEN INTERNATIONAL FIRST OBTAINED AND SPECIFIC AS TO EACH CASE. THE ACCEPTANCE OF THIS DRAWING WILL BE CONSTRUED AS AN ACCEPTANCE OF THE FOREGOING AGREEMENT.				

		HOLDEN INTERNATIONAL INC.	
TOLERANCES (EXCEPT AS NOTED)	TITLE HOLDEN GATE FDU2430-SW2NV-C1 APPLICATION DIMENSIONS	DRAWING NUMBER 2430SW2N-C1	
DECIMAL/FRACTIONAL ± 1/8	SCALE N.T.S	DRAWN BY: JFP	CHECKED BY: JJ
ANGULAR ±	DATE 10/MAY/06	APPROVED BY: J IORIO	REVISION B
			FAX FORMAT